



V405 Series U-PVC Diaphragm Valves

V405 Series U-PVC Diaphragm valves can be used as on-off or flow-regulating valves in industrial treatment process waters and chemical fluid lines.

Diaphragm valves, which are resistant to corrosive and particulate fluids, have a wide usage area in the industry. Valves with U-PVC bodies and EPDM diaphragms are an ideal process control element with lightweight structures in fluids where they are resistant to chemical corrosion.

Alternative body and diaphragm materials allow a wider usage area for diaphragm valves even in aggressive fluids applications.



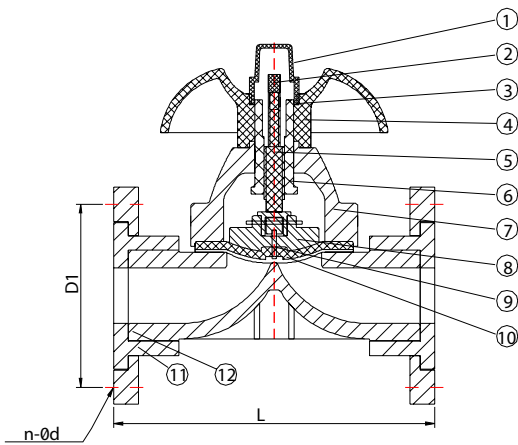
Flanged End U-PVC Diaphragm Valves (PN10 / ANSI CL150)

Material List

No	Part Name	Qty	Available Materials
1	Cap	1	AS
2	Indicator	1	ABS
3	O-ring	1	EPDM / FKM
4	Handwell	1	PPG
5	Stem	1	ABS
6	Sleeve	1	PPG
7	Bonnet	1	PPG
8	Disc	1	PPG
9	Screw	1	SS304
10	Diaphragm	1	EPDM / FKM / PTFE+EPDM
11	Flange	1	U-PVC / C-PVC / PP / PVDF
12	Body	1	U-PVC / C-PVC / PP / PVDF

Dimensions(mm)

Size		D1	L	n - ød
DN	Inch			
DN15	1/2"	65	112	4-14
DN20	3/4"	75	120	4-14
DN25	1"	85	140	4-14
DN32	1-1/4"	100	147	4-18
DN40	1-1/2"	110	197	4-18
DN50	2"	125	205	4-18
DN65	2-1/2"	145	285	4-18
DN80	3"	160	310	8-18
DN100	4"	180	366	8-18
DN125	5"	210	400	8-18



Socket End U-PVC Diaphragm Valves (PN10)

Material List

No	Part Name	Qty	Available Materials
1	Cap	1	AS
2	Indicator	1	ABS
3	O Ring	1	EPDM / FKM
4	Handwheel	1	PPG
5	Stem	1	ABS
6	Sleeve	1	PPG
7	Bonnet	1	PPG
8	Disc	1	PPG
9	Screw	1	SS304
10	Diaphragm	1	EPDM / FKM / PTFE+EPDM
11	Union	2	U-PVC / C-PVC / PP / PVDF
12	O-Ring	2	EPDM / FKM
13	Body	1	U-PVC / C-PVC / PP / PVDF
14	Coupling	2	U-PVC / C-PVC / PP / PVDF

Dimensions(mm)

Size		D1	L	H
DN	Inch			
DN15	1/2"	20	140	120
DN20	3/4"	25	144	125
DN25	1"	32	175	170
DN32	1-1/4"	40	183	174
DN40	1-1/2"	50	245	220
DN50	2"	63	260	230

